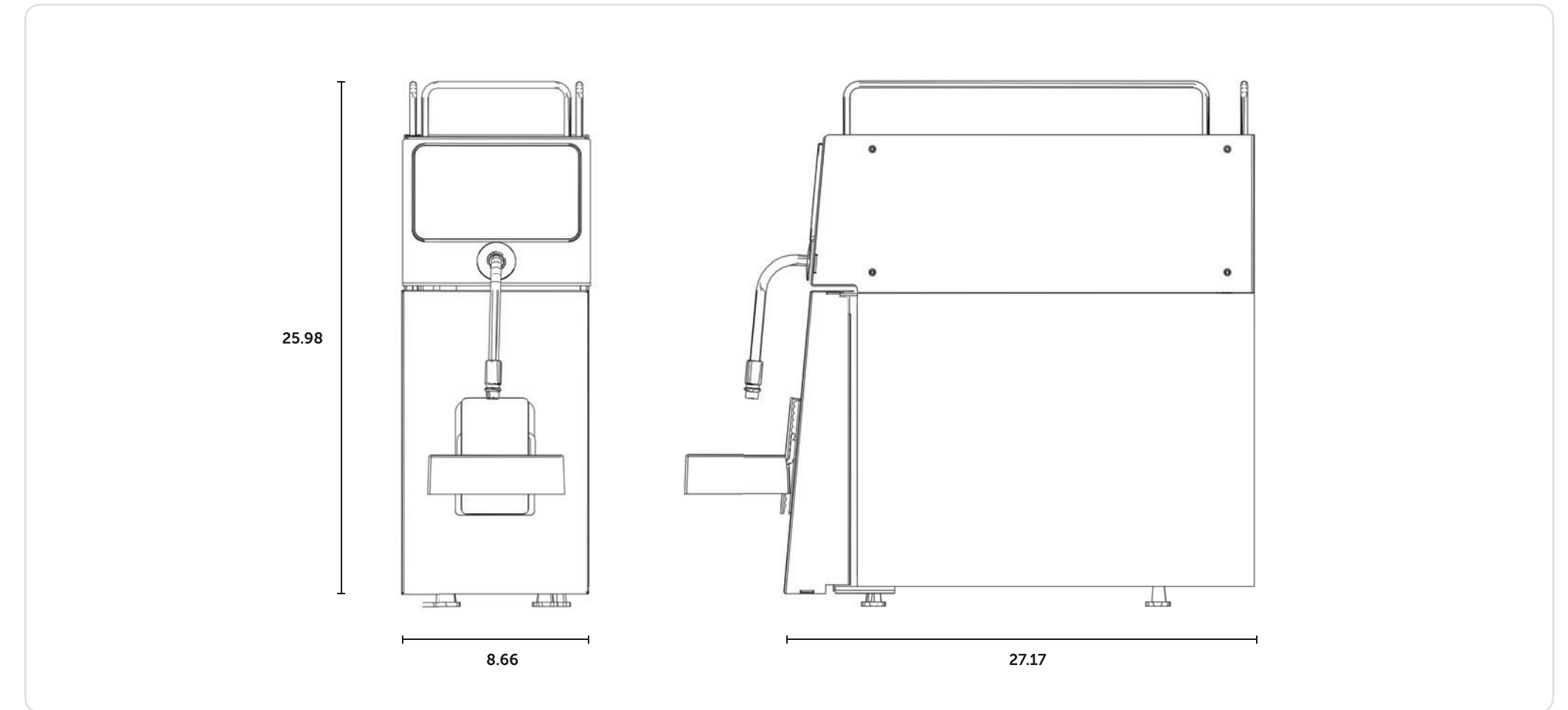


Product details: LAF Classic

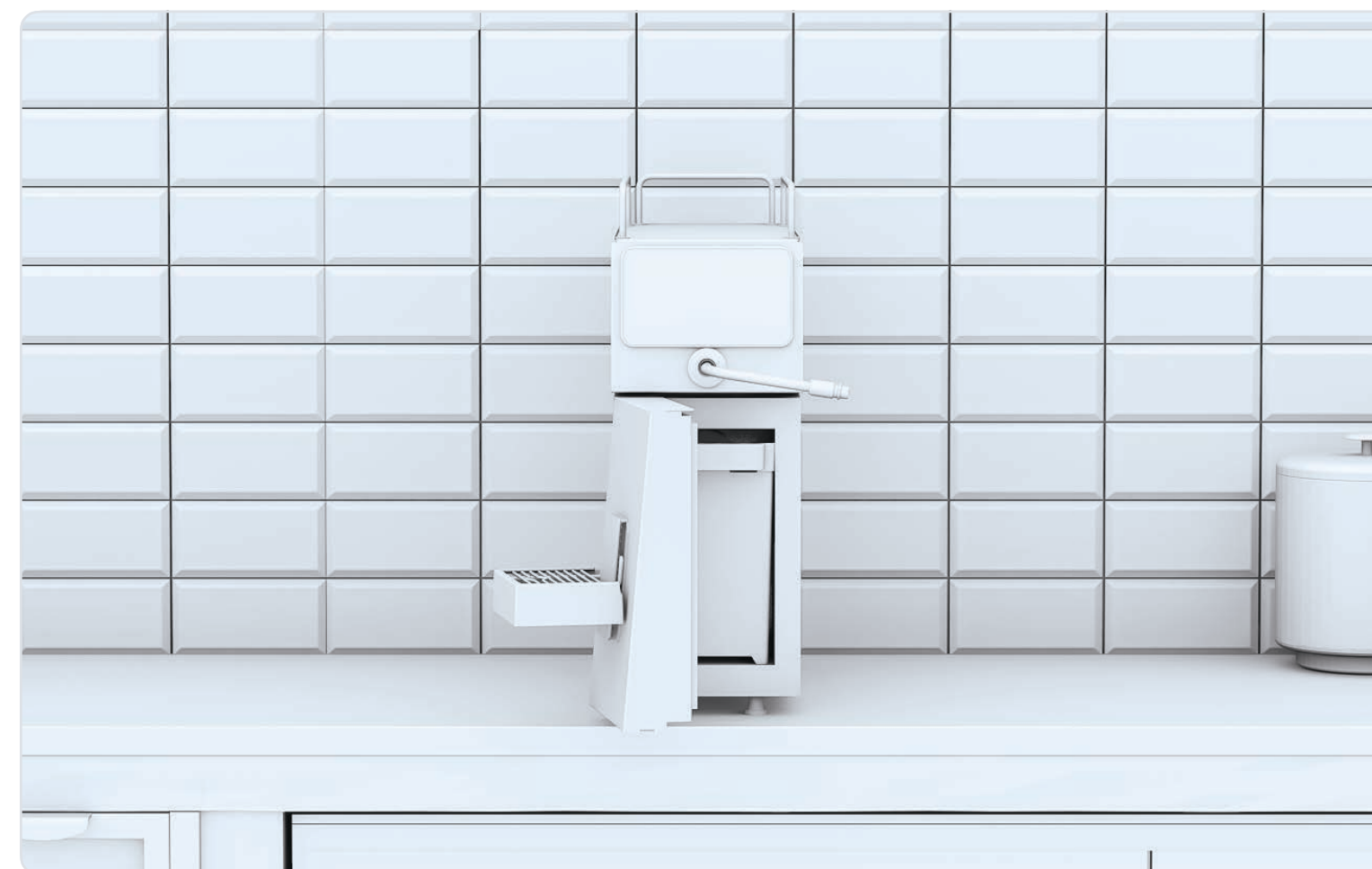
Dimensions (WxHxD)	8.82 x 22.05 x 22.05 inches, 224 x 560 x 560 mm
with accessories	8.82 x 24.80 x 28.15 inches. 224 x 630 x 715 mm.
Weight	59.75 lbs (27.1 kg)
Power	1st: 110 V-120V, 60Hz, Max: 2,000W 16A
Power plug US	N5/20
Package Dimensions	30.7in x 13.8in x 25.8in 78cm x 35cm x 65.6cm
Dispense Speed	1.6 quarts in 60 seconds
Water Supply	Water treatment: Drinking water without undissolved solids. Mechanical filtration of 10 µm; carbonate hardness 7°dKH Connection: 3/8 Female connector Pressure > 0.1 MPa < 1 MPa
Water Drainage	yes, 1x 6mm drain tube (0.24 inches)
Counterspace	Leave at least 7.9 inches free space behind machine for proper ventilation and connections cutout.
Environment	Humidity 80%, no condensation Temperature +41 °F to +95 °F.



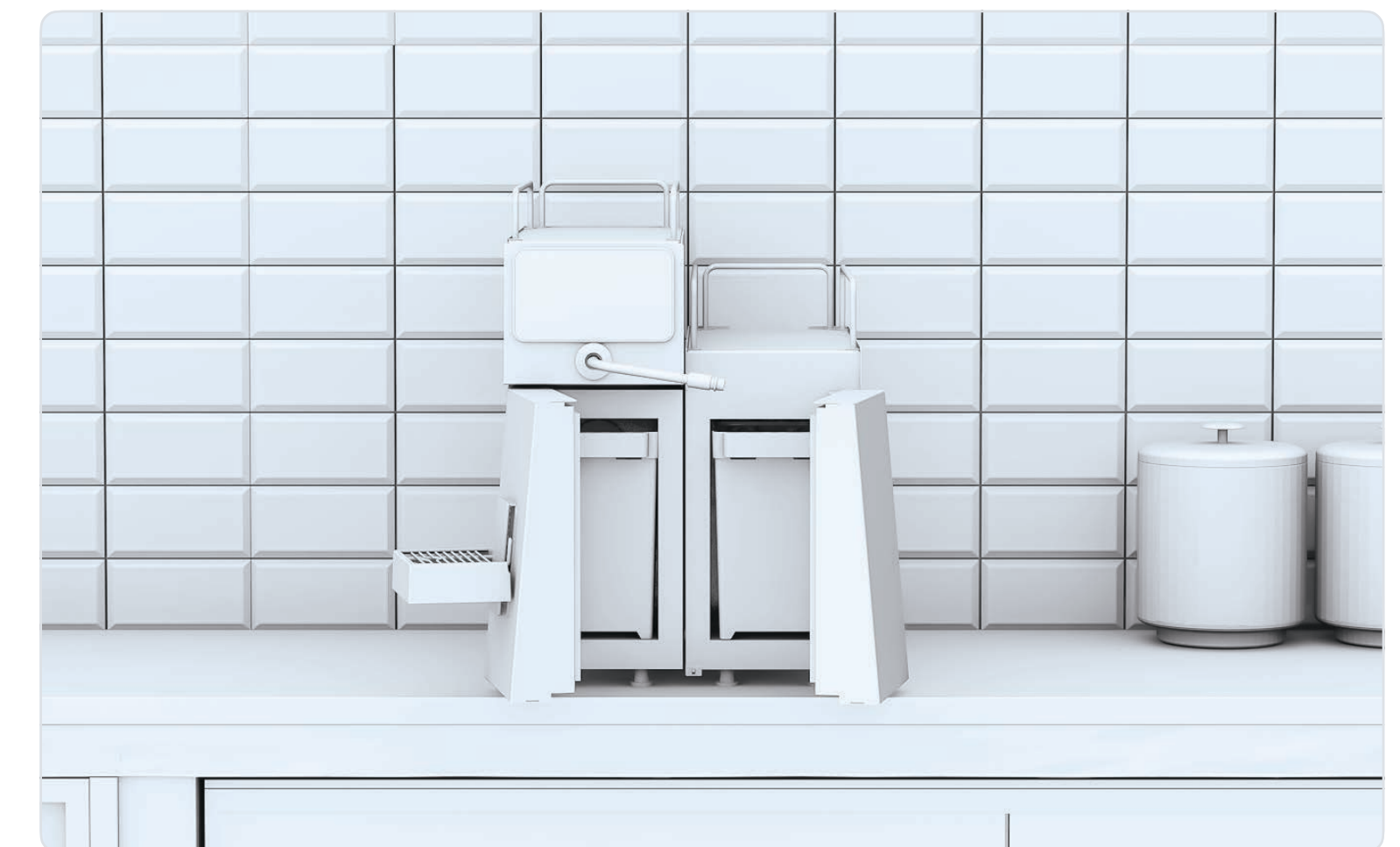
LAF Classic – full unit on counter (including fridge)



Dimensions (WxHxD): approx. 8.82 x 22.05 x 22.05 inches, with accessories: 8.82 x 24.80 x 28.15 inches.



Standard fridge with 1 gallon container



Extra fridge setup: 2x 1 gallon containers